

PL 4814 TL (2017)

Technical information

Article number	299486048/IK
Item Status	Available
Season	2016-2017
Brand Code	GGP
Deck width	48 cm
Deck width	48 "
Driving	Self propelled
EAN code	4010951771283
Engine model	Petrol Lawn Mower
Product Name	PL 4814 TL
RPM control	Fixed rpm
Wheel sizes	NT-NR D=200/280 DRYFLEX CUSC.
Wheels	200/280mm grooved wheels on ball bearings with soft tread
Brand Code 2	PERSONALIZED

Documents

Deck And Height Adjusting

Mask

Handle, Lower Part

Handle, Upper Part

Controls Fixed RPM

Transmission

Wheels and Hub Caps

Protection, Belt

Grass-Catcher

Engine - Carburettor, Tank

Engine - Piston, Crankshaft

Illustration Deck And Height Adjusting

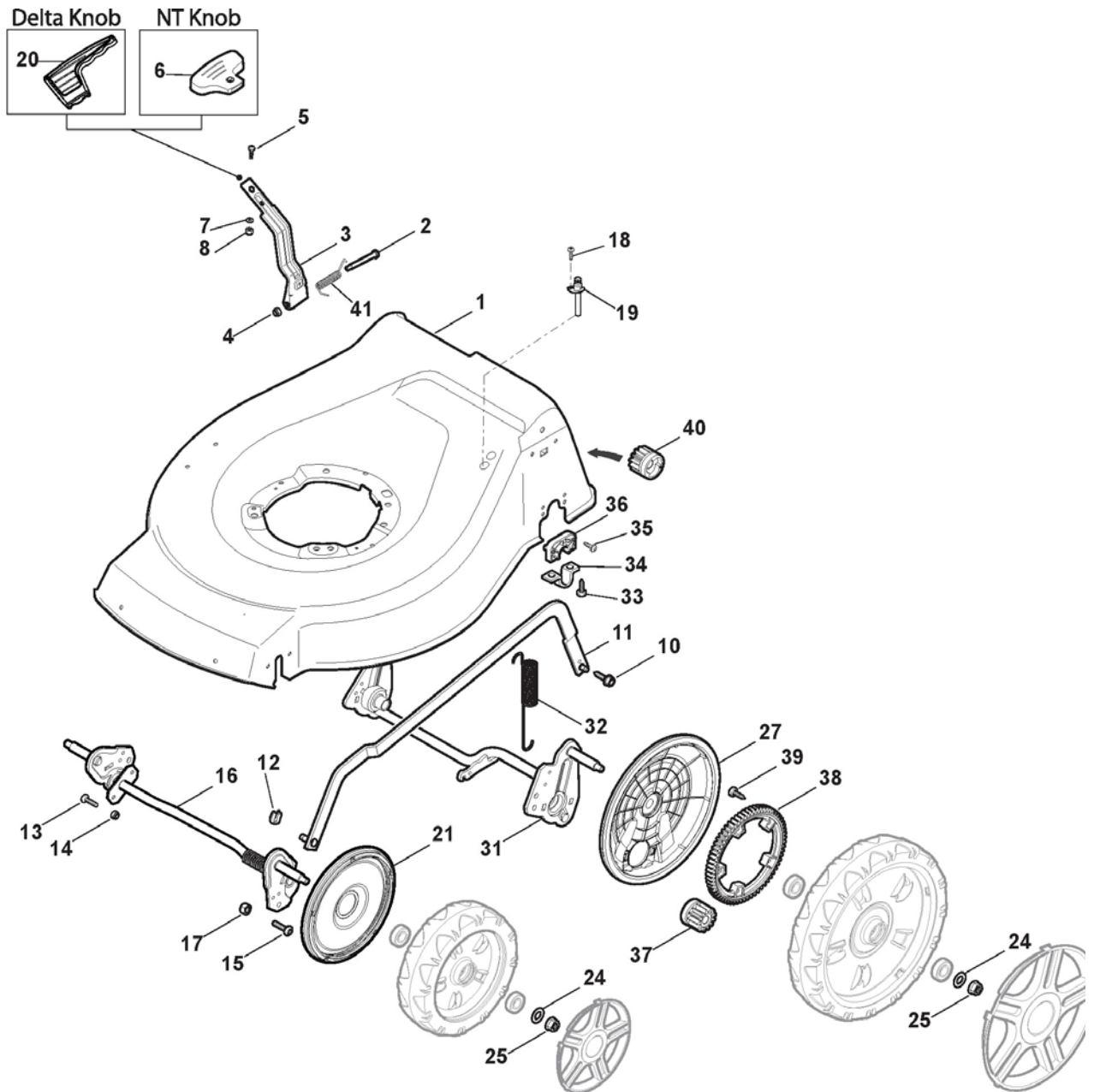


Illustration Deck And Height Adjusting

Reference	Qty	Item number	Description	Notes	From	Up to
1	1	381003977/0	Grey Deck			To 31-august-2011
1	1	381004741/0	Grey Deck			From 01-september-2013
2	1	122534131/0	Pin			
3	1	381003398/0	Lever, Height Adjustment	Galvanized - Black;		To 31-august-2017
3	1	381003399/0	Lever, Height Adjustment	Galvanized - White		
4	1	112154510/0	Nut			
5	1	112788512/0	Screw			
6	1	322394503/0	Knob	NT Knob		
7	1	112521310/0	Washer			
8	1	112150000/0	Nut			
10	1	122943013/0	Screw			
11	1	381002030/0	Rod, Height Adjustment			To 31-august-2017
11	1	381002037/0	Rod, Height Adjustment Control			From 01-september-2017
12	1	112436051/0	Plate			
13	3	112727803/0	Screw			
14	3	112154510/0	Nut			
15	1	112727801/0	Screw			
16	1	381002883/1	Front Wheel Axle			To 31-august-2017
16	1	381302805/1	Front Wheel Axle			From 01-september-2017
17	1	112154510/0	Nut			
18	1	112728450/0	Screw			From 01-september-2011
19	1	322034002/0	Washing Connection			From 01-september-2011
20	1	322394522/0	Knob	Delta Knob		
21	2	322600145/0	Protection, Wheel			
24	4	112521350/0	Washer			
25	4	112155000/0	Nut			
27	2	322600208/0	Protection, Wheel			
31	1	381302835/0	Rear Wheel Axle			To 31-august-2012
31	1	381302835/1	Axle, Rear Wheels			From 01-september-2012
31	1	381302837/1	Axle, Rear Wheels			To 31-august-2017 From 01-september-2017
32	1	122450460/0	Spring			
33	4	112728697/0	Screw			
34	2	322545152/0	Plate			
35	4	112728697/0	Screw			
36	2	322785304/1	Support			
37	1	122570134/0	Left Pinion			
38	2	322120115/0	Wheels Crown			
39	6	112728706/0	Screw			
40	1	122570133/0	Right Pinion			
41	1	122446192/0	Spring			

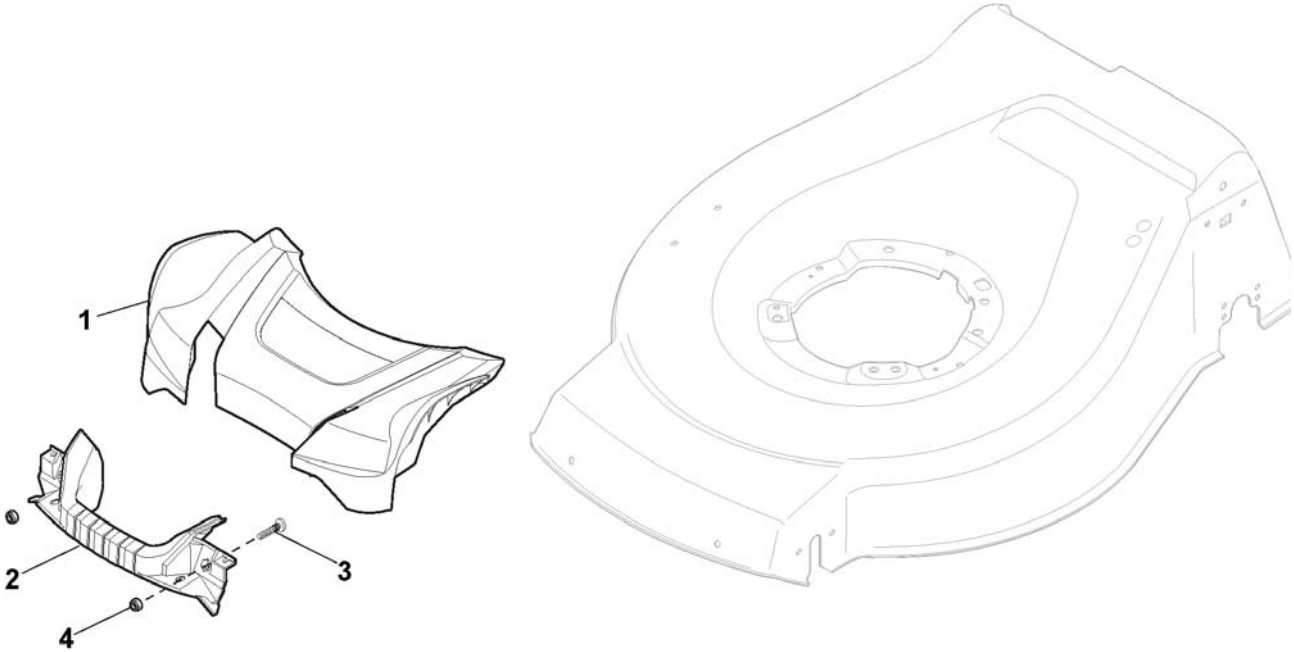


Illustration Mask

Reference	Qty	Item number	Description	Notes	From	Up to
1	1	322226157/0	Mask, Black			
2	1	322393642/0	Bumper Handle			
3	2	112727799/0	Screw			
4	2	112154510/0	Nut			

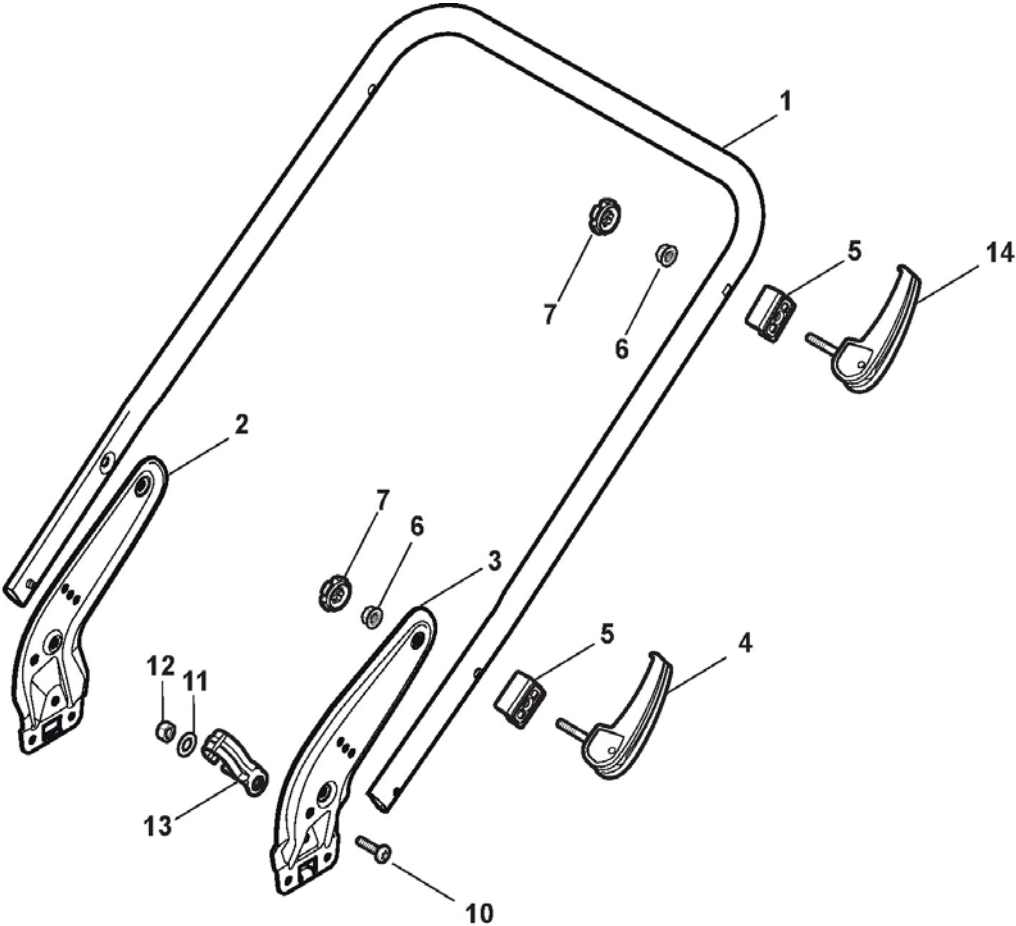


Illustration Handle, Lower Part

Reference	Qty	Item number	Description	Notes	From	Up to
1	1	381006719/0	Handle Lower Part		From 01-september-2010	
1	1	381006720/0	Handle Lower Part			
1	1	381006891/0	Handle Lower Part			To 31-august-2010
2	1	381005125/0	Right Bracket		Black;To 31-august-2010	
2	1	381005149/0	Right Bracket		Black;From	
3	1	381005127/0	Left Bracket		01-september-2010	
3	1	381005151/0	Left Bracket		Black;To 31-august-2010	
3	1	381005151/0	Left Bracket		Black;From	
4	4	381003253/0	Locking Handle Lever		01-september-2010	
5	4	322680016/0	Washer			
6	4	122131750/0	Nut			
7	4	322399835/0	Knob			
10	2	112760605/0	Screw			
11	2	125038002/1	Bushing			
12	2	112155000/0	Nut			
13	1	322192156/0	Clip			
14	2	381103350/0	Locking Handle Lever			

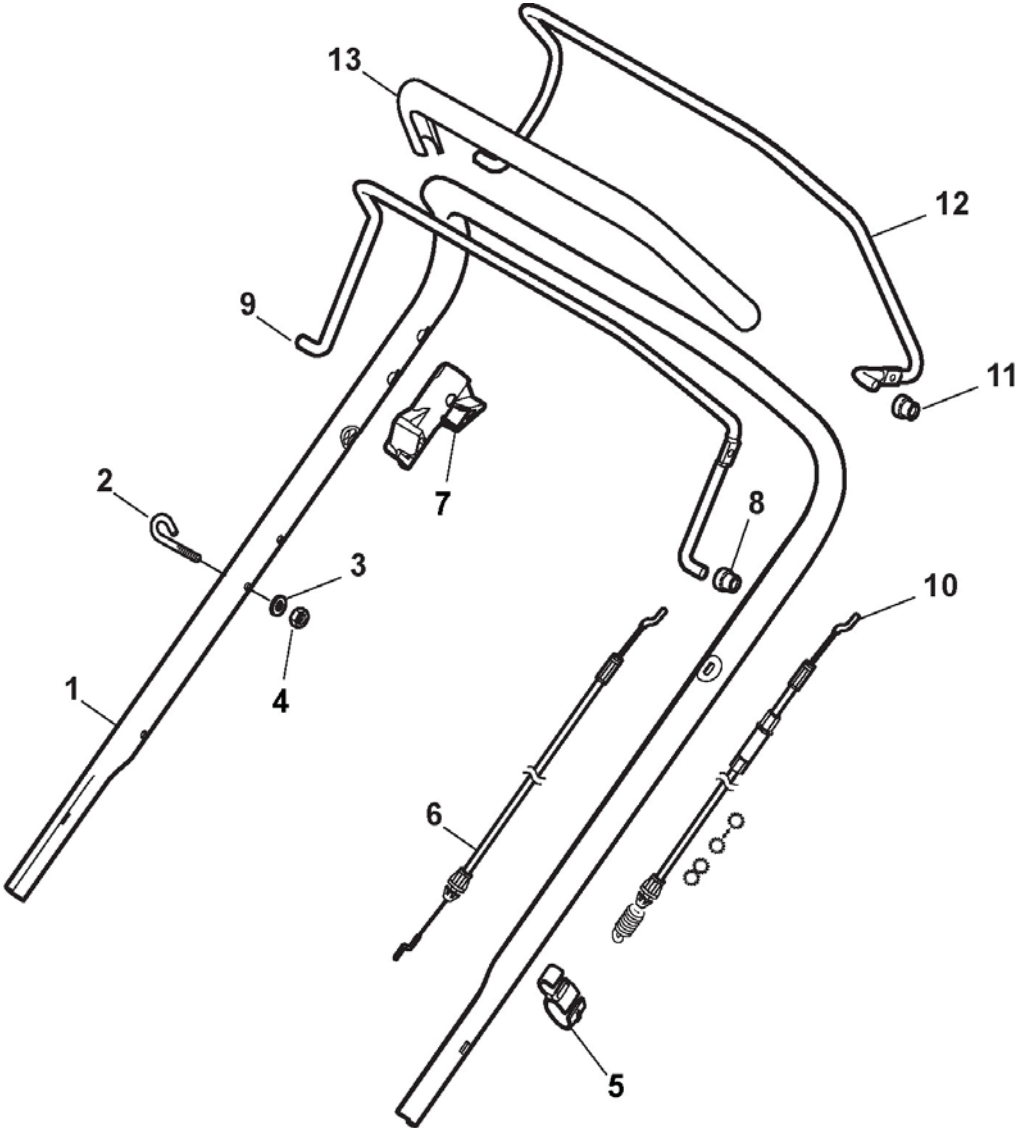


Illustration Handle, Upper Part

Reference	Qty	Item number	Description	Notes	From	Up to
1	1	381006838/0	Handle, Upper Part	(for NT Throttle or DELTA Dashboard)		
1	1	381007522/0	Handle, Upper Part	(for TD-CA Dashboard)		
2	1	122430313/0	Guide Spring			
3	1	112521330/0	Washer			
4	1	112154510/0	Nut			
5	1	118390020/0	Conduit Clip			
6	1	181030054/0	Cable, Thread Engine Brake	SV40 / RV 40 / V35 / WBE140 Engine		
7	1	322545204/0	Fulcrum Pin			
8	1	122041966/0	Bushing			
9	1	181003300/1	Lever, Engine Brake			
10	1	381030051/0	Cable Rear Drive	To 31-august-2012		
10	1	381030092/0	Cable Rear Drive	From 01-september-2012		
10	1	381030092/1	Cable Rear Drive	To 31-august-2013 From 01-september-2013		
11	1	122041966/0	Bushing			
12	1	181003301/0	Drive Control Lever			
13	1	122291050/0	Handgrip Black			

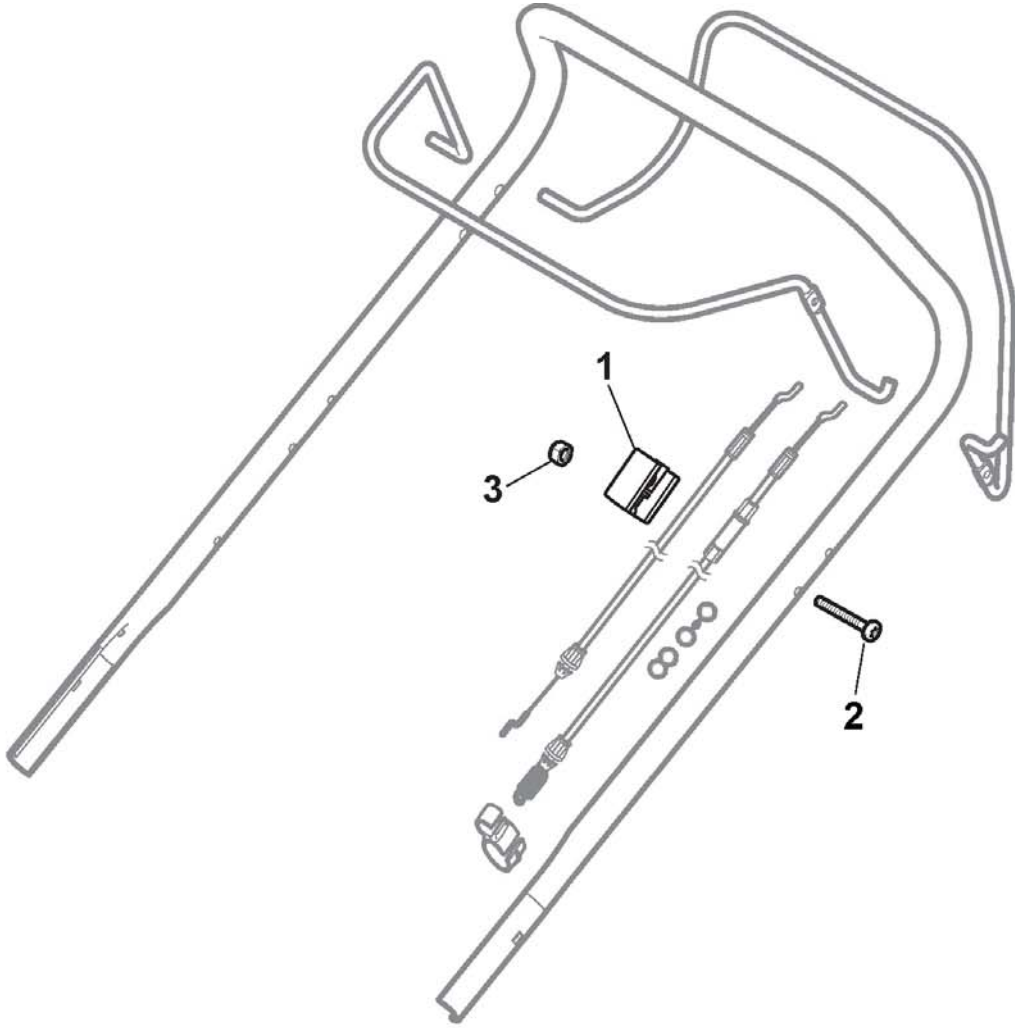


Illustration Controls Fixed RPM

Reference	Qty	Item number	Description	Notes	From	Up to
1	1	322551640/0	Plate			
2	1	112727783/0	Screw			
3	1	112154510/0	Nut			

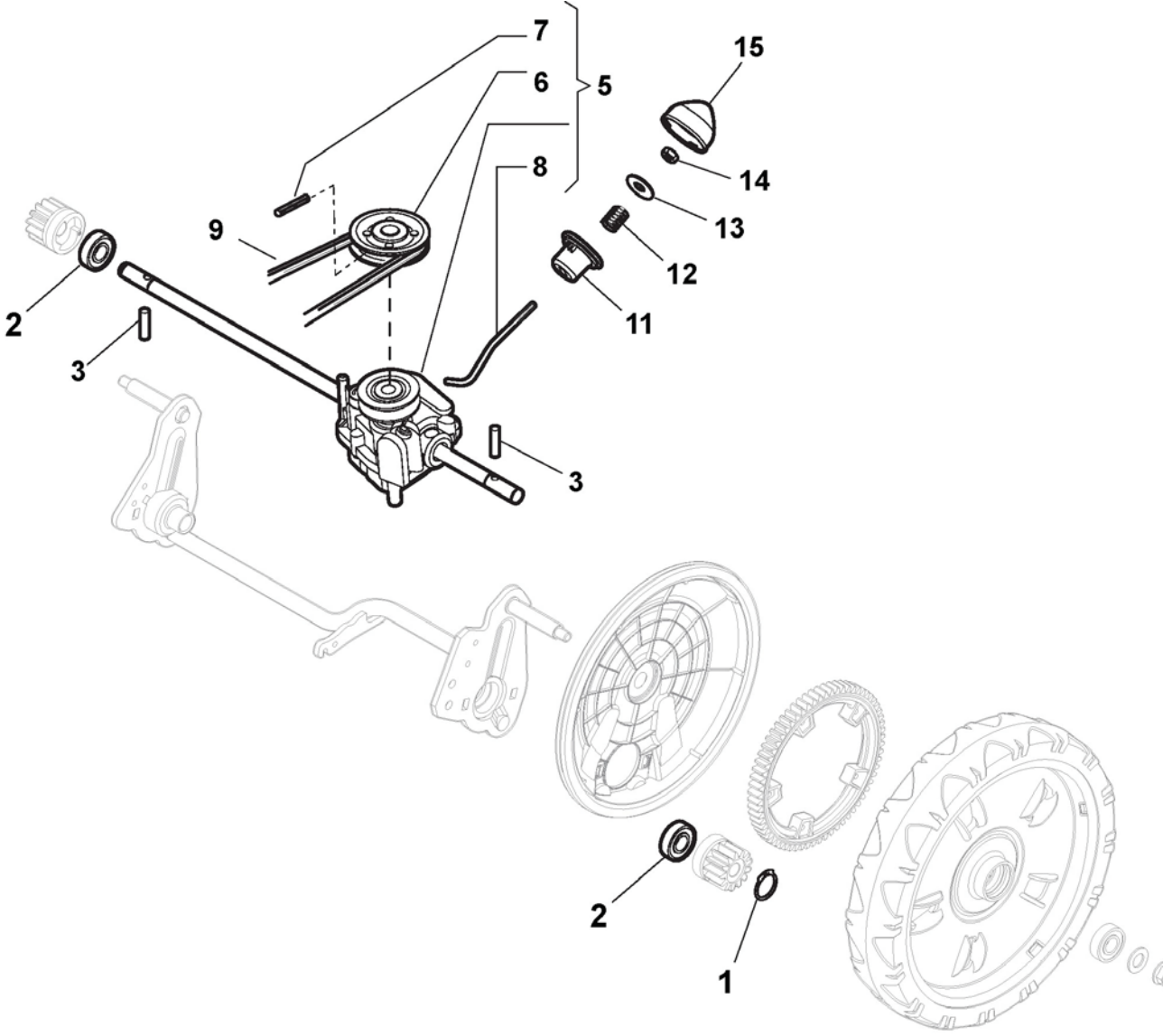


Illustration Transmission

Reference	Qty	Item number	Description	Notes	From	Up to
1	2	112608600/0	Seeger			
2	2	119216035/0	Bearing			
3	2	122753000/0	Pin			
5	1	181003076/1	Gear Box	From 01-september-2012		
5	1	181003092/0	Gear Box	To 31-august-2012		
6	1	122601904/0	Pulley	To 31-august-2013		
6	1	122601909/0	Pulley	From 01-september-2013		
7	1	112645700/0	Elastic Pin			
8	1	122033283/0	Adjustment Rod			
9	1	135063800/0	Trapezoidal Belt			
11	1	122041957/1	Bushing			
12	1	122450063/0	Spring			
13	1	322680009/0	Washer			
14	1	112154510/0	Nut			
15	1	122110230/0	Hub Cover			

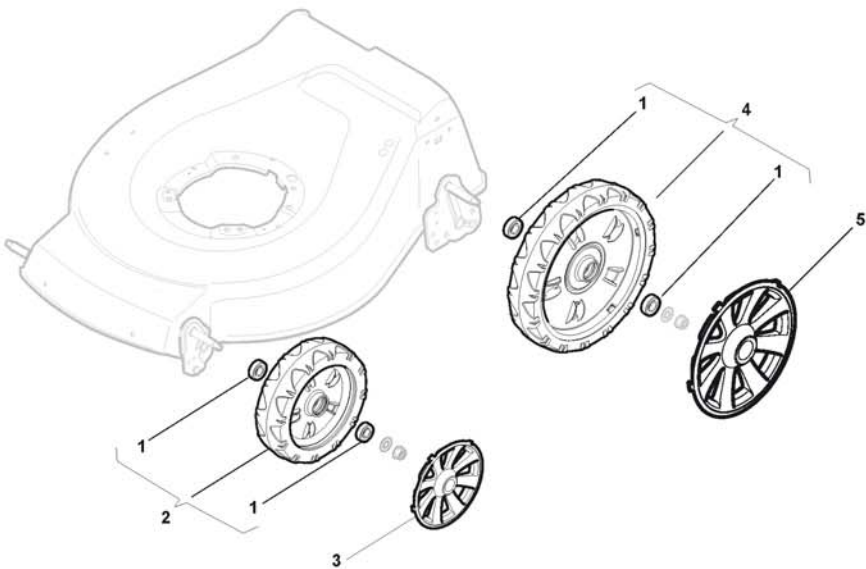


Illustration Wheels and Hub Caps

Reference	Qty	Item number	Description	Notes	From	Up to
1	8	119216035/0	Bearing			
2	2	381007416/0	Wheel	To 31-august-2010		
2	2	381007416/1	Wheel	From 01-september-2010		
2	2	381007416/2	Wheel	To 31-august-2012 From 01-september-2012		
3	2	322110645/0	Hub Cap Grey	Grey;To 31-august-2014		
3	2	322110785/0	Hub Cap Grey	Grey NCS S8000;From		
4	2	381007417/0	Wheel	01-september-2014 To 31-august-2010		
4	2	381007417/1	Wheel	From 01-september-2010		
4	2	381007417/2	Wheel	To 31-august-2012 From 01-september-2012		
5	2	322110646/0	Hub Cap Grey	Grey;To 31-august-2014		
5	2	322110786/0	Hub Cap Grey	Grey;From 01-september-2014		

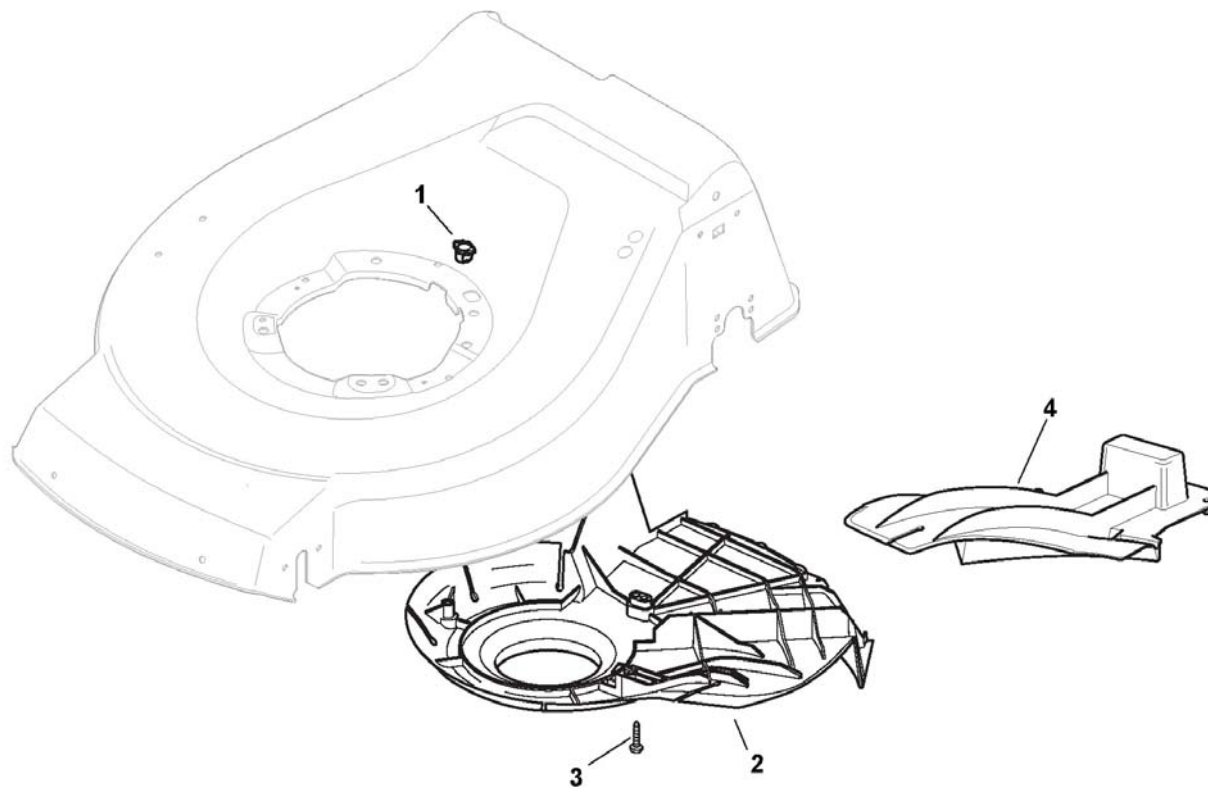


Illustration Protection, Belt

Reference	Qty	Item number	Description	Notes	From	Up to
1	1	322291150/0	Rubber Insert			
2	1	322060198/0	Belt Protection	To 31-august-2011		
2	1	322060198/1	Belt Protection	From 01-september-2011		
3	3	112728530/0	Screw	To 31-august-2015		
3	3	112728531/0	Screw	From 01-september-2015		
4	1	322140223/0	Mulching Deflector			

Illustration Grass-Catcher

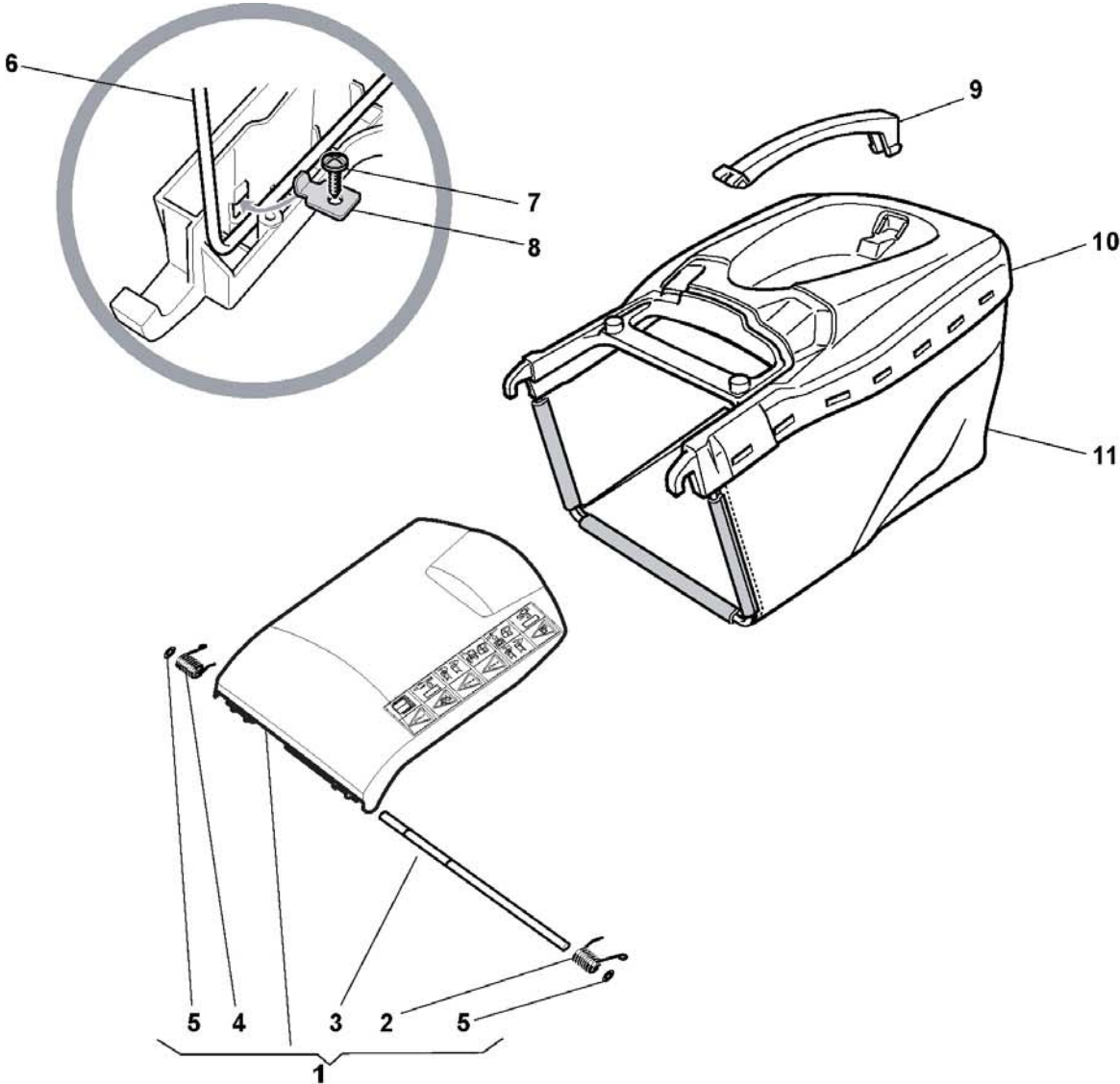


Illustration Grass-Catcher

Reference	Qty	Item number	Description	Notes	From	Up to
1	1	381008128/0	Stone Guard, Black	Black		
2	1	122450466/0	Left Spring			
3	1	122517882/0	Pin			
4	1	122450465/0	Right Spring			
5	2	112604899/0	Crown Fastener			
6	1	122608505/0	Stiffening			
7	2	112728680/0	Screw			
8	2	322545159/0	Plate			
9	1	322393721/0	Handle	Grey		
10	1	381486009/0	Grass-Box, Upper	Black		
11	1	181002345/0	Box, Fabric	To 31-august-2016		
11	1	181002345/1	Box, Fabric	From 01-september-2016		

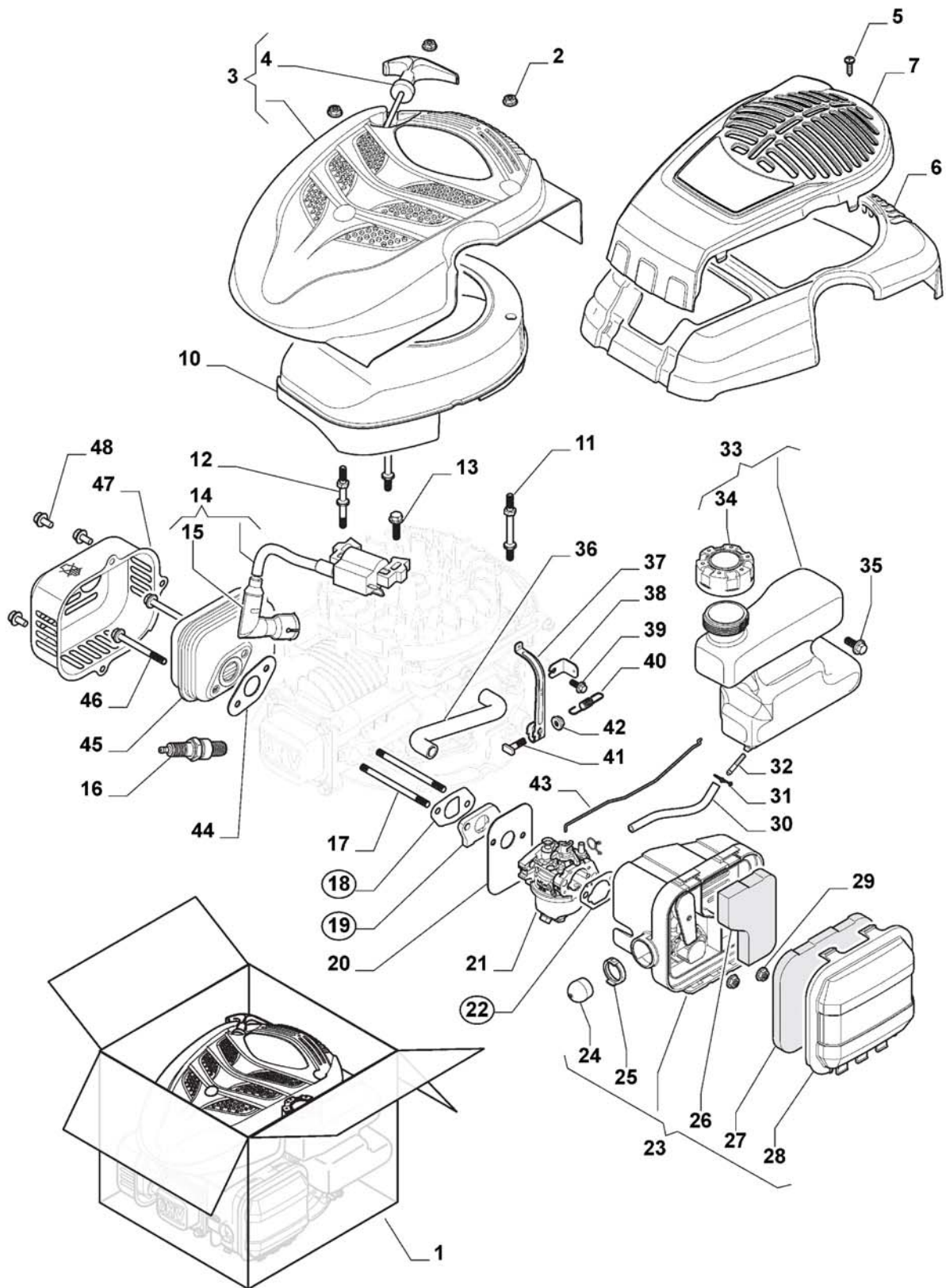


Illustration Engine - Carburettor, Tank

Reference	Qty	Item number	Description	Notes	From	Up to
1	1	118550941/0	Engine Assembled			
2	3	112292102/0	Nut			
3	1	118550909/0	Starter Assy			
4	1	118551362/0	Starter Handle			
5	3	112728706/0	Screw	additional parts not for all models		
6	1	322055538/0	Grey Cover	additional parts not for all models		
7	1	322055539/0	Yellow Engine Cowling	additional parts not for all models		
10	1	118550908/0	Air Guide	models		
11	2	118550907/0	Pin			
12	1	118550906/0	Pin			
13	1	112791500/0	Screw			
14	1	118550901/0	Elettronic Coil			
15	1	118550942/0	Spark Plug Terminal			
16	1	9400-0244-00	Spark Plug			
17	2	118550930/0	Stud Bolt			
18	1	118550929/0	Gasket			
19	1	118550928/0	Insulator, Carburettor			
20	1	118550927/0	Gasket			
21	1	118550926/0	Carburettor			
22	1	118550924/0	Gasket			
23	1	118550921/0	Air Cleaner Assy			
24	1	118550923/0	Air Purge Pump			
25	1	118550922/0	Air Purge Pump Stop			
26	1	118550946/0	Air Filter			
27	1	118550945/0	Air Filter			
28	1	118550944/0	Air Cleaner Cover			
29	2	112292102/0	Nut			
30	1	118550919/0	Fuel Pipe			
31	2	118550918/0	Pipe Clip			
32	1	118550314/0	Fuel Filter			
33	1	118550917/1	Tank			
34	1	118550943/0	Fuel Cap			
35	2	112792099/0	Screw			
36	1	118550920/0	Breather Fule Pipe			
37	1	118550933/0	Arm Governor			
38	1	118550931/0	Plate			
39	1	112789000/0	Screw			
40	1	118550932/0	Spring			
41	1	118550805/0	Screw			
42	1	118550806/0	Nut			
43	1	118550925/0	Governor Link			
44	1	118550898/0	Gasket, Muffler			
45	1	118550899/0	Muffler			
46	2	112792425/0	Screw			
47	1	118550900/0	Muffler Guard			
48	3	118551277/0	Bolt			

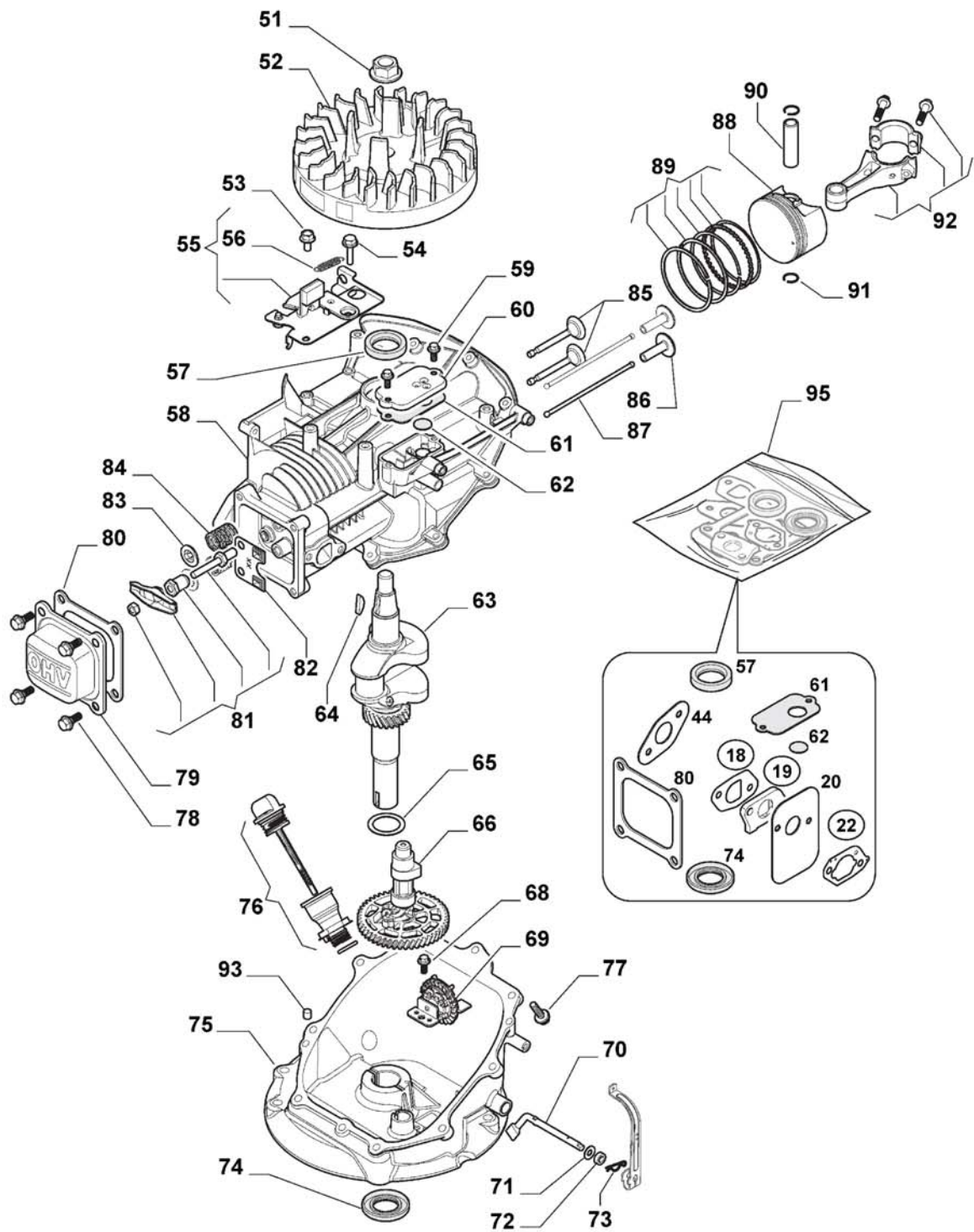


Illustration Engine - Piston, Crankshaft

Reference	Qty	Item number	Description	Notes	From	Up to
18	1	118550929/0	Gasket			
19	1	118550928/0	Insulator, Carburettor			
20	1	118550927/0	Gasket			
22	1	118550924/0	Gasket			
44	1	118550898/0	Gasket, Muffler			
51	1	118550336/0	Nut			
52	1	118550905/0	Flywheel Ass.Y			
53	1	118551277/0	Bolt			
54	1	112791500/0	Screw			
55	1	118550938/0	Flywheel Brake/Stop Switch Assy			
56	1	118550911/0	Spring			
57	1	118550300/0	Oil Seal			
58	1	118550897/0	Cylinder Assy			
59	2	112789000/0	Screw			
60	1	118550904/0	Cover			
61	1	118550903/0	Gasket, Breath Groove			
62	1	118550902/0	Valve			
63	1	118550889/0	Crankshaft			
64	1	118550288/0	Woodruff Key			
65	1	118550283/0	Washer			
66	1	118550890/0	Camshaft Assy			
68	1	112789000/0	Screw			
69	1	118550888/0	Speed Governor Assy			
70	1	118550936/0	Shaft, Governor Arm			
71	1	118550666/0	Washer			
72	1	118550935/0	Oil Seal			
73	1	118550856/0	Cotter Pin			
74	1	118550379/0	Oil Seal			
75	1	118551209/0	Cae Cover			
76	1	118550887/0	Tank Cap			
77	10	112791500/0	Screw			
78	4	118551276/0	Bolt			
79	1	118550891/0	Cover Comp., Head			
80	1	118550892/0	Packing Head Cover			
81	2	118550893/0	Valve Arm Set			
82	1	118550894/0	Plate			
83	2	118550895/0	Retainer			
84	2	118550896/0	Spring			
85	1	118550910/0	Valve Assy, Intake + Exhaust			
86	2	118550291/0	Valve Lifter Assy			
87	2	118550912/0	Push Rod			
88	1	118551216/0	Piston			
89	1	118550913/0	Piston, Ring Set			
90	1	118550915/0	Piston Pin			
91	2	118550914/0	Washer, Piston Pin			

Illustration Engine - Piston, Crankshaft

Reference	Qty	Item number	Description	Notes	From	Up to
92	1	118550916/0	Connecting Rod Assy			
93	2	118551223/0	Dowel			
95	1	118550940/0	Engine Gasket Set			